

HL5281

USB Type-C Analog Audio Switch with Protection Function

Overview

HL5281 is a high performance USB Type-C port multimedia switch which supports analog audio headsets.

HL5281 allows the sharing of a common USB Type-C port to pass USB2.0 signal, analog audio, sideband use wires and analog microphone signal.

HL5281 also supports high voltage on SBU port and USB port on USB Type-C receptacle side.

HL5281 is available in a 25-pin WLCSP package.

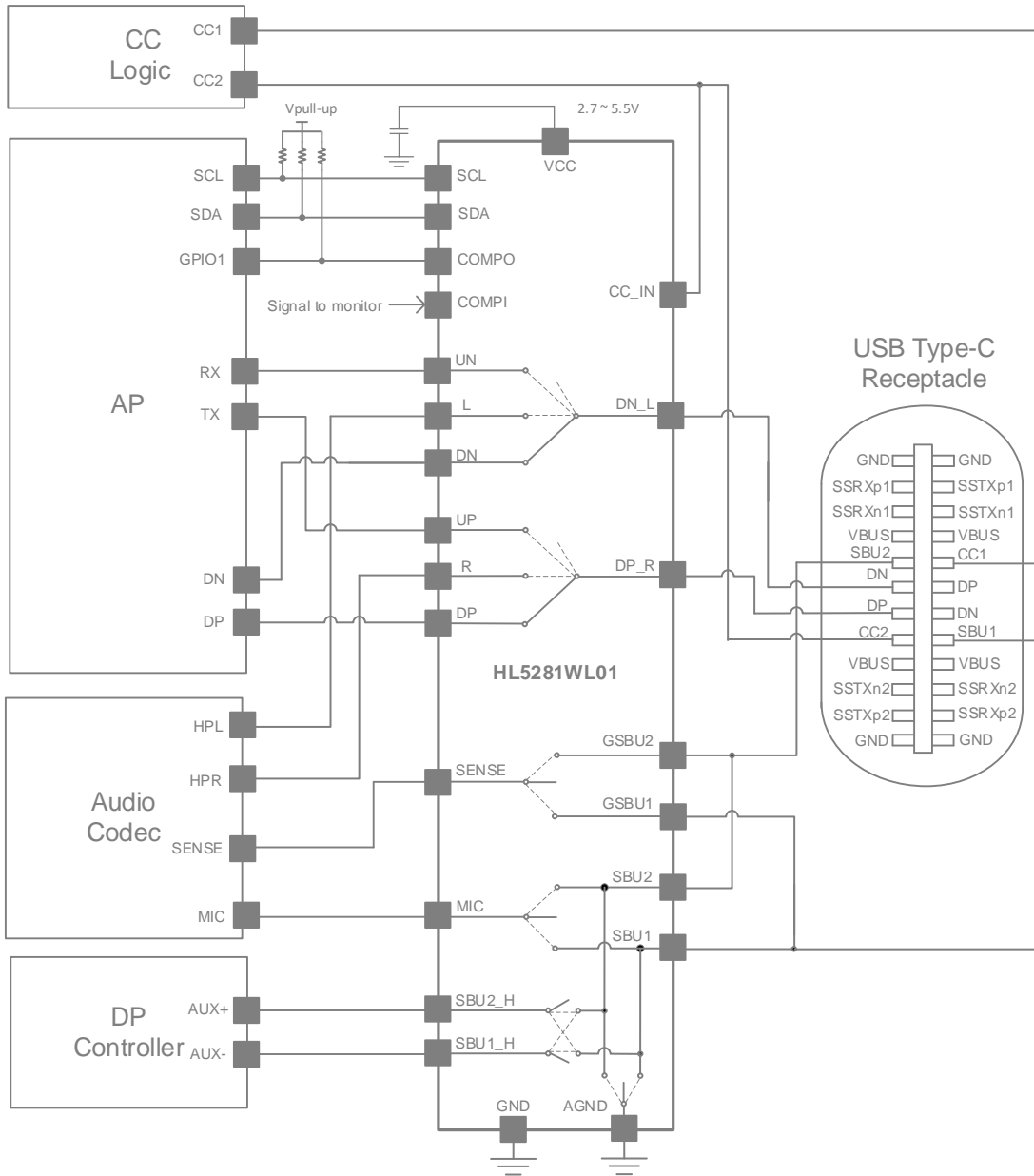
Features

- Power supply: VCC, 2.7V to 5.5V
- USB high speed (480Mbps) switch
 - ✓ -3dB bandwidth: 900MHz
 - ✓ 3.5Ω R_{ON} typical
- Audio
 - ✓ Negative rail capability: -3V to +3V
 - ✓ THD + N = -107dB, 1 V_{RMS}, f = 20Hz to 20kHz, 32Ω load
 - ✓ 0.8Ω R_{ON} typical
- High voltage protection
 - ✓ 22V DC tolerance on connector side pins
 - ✓ Adjustable Over Voltage Protection: 4.4V ~ 5V.
- OMTP and CTIA pinout support
- Support audio sense path
- 25-bump WLCSP package (2.09mm x 2.09mm)

Applications

- Smart phone
- Tablet
- Notebook PC
- Media player

Simplified Application Diagram



Ordering Information

Part Number	Packing Method	Package
HL5281	Tape & Reel	WLCSP-25

Important Notice

Halo Microelectronics reserves the right to modify, improve, and terminate its products, services, documentations, etc. without advance notice. Customers are encouraged to contact Halo Microelectronics sales representatives to get the latest product information.

Without proper legal authorization, Halo products shall not be used for medical or military applications. Halo Microelectronics does not assume any liability of personal or property damages of any kind due to such applications.

All text, images, trademarks of this document, and any intellectual property contained in the product and in this document belong to Halo Microelectronics Co. Ltd. No part of this document may be used, copied, modified, distributed, or published without legal authorization from Halo Microelectronics.

© 2024 Halo Microelectronics. All rights reserved. www.halomicro.cn